

Preference of Professionals

# CamBox®

## ST Brackets

### CamBox ST Series Brackets

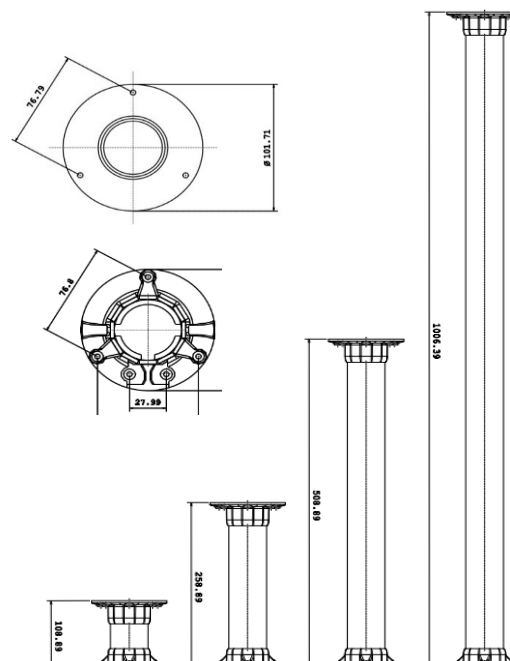


#### TECHNICAL DETAILS

- + High Quality Bracket
- + Material: Engineering Plastic
- + Weight: 175-625 gr
- + Montage Surface: 101mm
- + 3-Way Cable Port

**Indoor**  
Only ST-10-2000mm

**Outdoor**  
Only ST-10-50mm



ST Series Brackets are made 10 cm-2000cm  
Max Load Capacite: **5 Kg**

ST 10 EAN CODE : 0761449354580

ST 50 EAN CODE : 0761449354559

ST 25 EAN CODE : 0761449354542

ST 100 EAN CODE: 0655343460815

Suitable With All CamBox Accesories

**CamBox**  
Engineering  
Plastic